

New Zone

Product Guide

New Zone enables you to run two valves independently using only one pair of field wires. It's a cost-effective solution for reactivating a valve due to cut wires or adding a new valve to your system.

Designed to Work Seamlessly

Valves run independently so watering schedules can be tailored to your landscape's specific needs

Valves can be scheduled on separate programs and run in manual and automatic settings

Save Time and Money

Eliminates the need to trench and install new field wires from the new, or repaired valve, to the controller

Clear instructions and diagrams ensure timely installation and repair

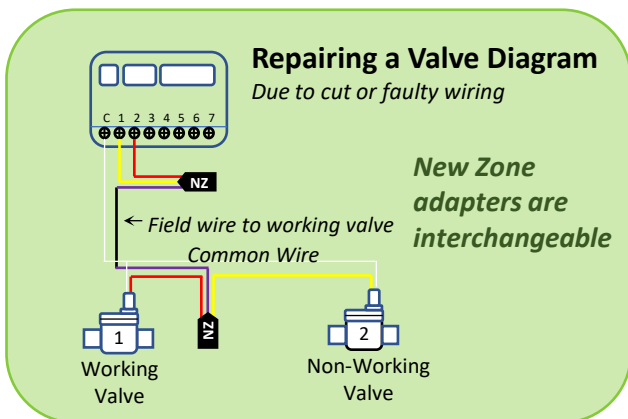
TO REPAIR A VALVE

Controller Install

1. Remove the field wire from the non-working valve's terminal, connect the New Zone **RED** wire to terminal
2. Remove the field wire from the working valve's terminal, connect the New Zone **YELLOW** wire to terminal
3. Connect the New Zone **BLUE** wire to the working valve's field wire

Valve Install

1. Remove the field wire from the working valve's solenoid, connect the New Zone **RED** wire to solenoid wire
2. Remove the field wire from non-working valve's solenoid, connect the New Zone **YELLOW** wire to solenoid wire
3. Connect the New Zone **BLUE** wire to the working valve's field wire



Multiple brands of controllers were used in testing New Zone. However, we cannot guarantee that this product will work in all systems. Found to be noncompatible with some Smart Controllers.

It is recommended that when installing the controller adapter that you "skip" an output terminal. For example, use terminals 1 and 3, or 2 and 7.

Part # GAT2215
Voltage: 24, Switching capacity: 0.5 AMPS
1 Year Warranty
CS@NewZoneIrrigation.com



TO ADD A VALVE

Controller Install

1. Remove the field wire from the existing valve's terminal, connect the New Zone **YELLOW** wire to terminal
2. Connect the New Zone **RED** wire to an unused output terminal in the controller
3. Connect the New Zone **BLUE** wire to the existing valve's field wire

Valve Install

1. Remove field wire from the existing valve's solenoid, connect the New Zone **RED** wire to solenoid wire
2. Connect the New Zone **YELLOW** wire, and field common wire, to the new valve's solenoid wires
3. Connect the New Zone **BLUE** wire to the existing valve's field wire

