

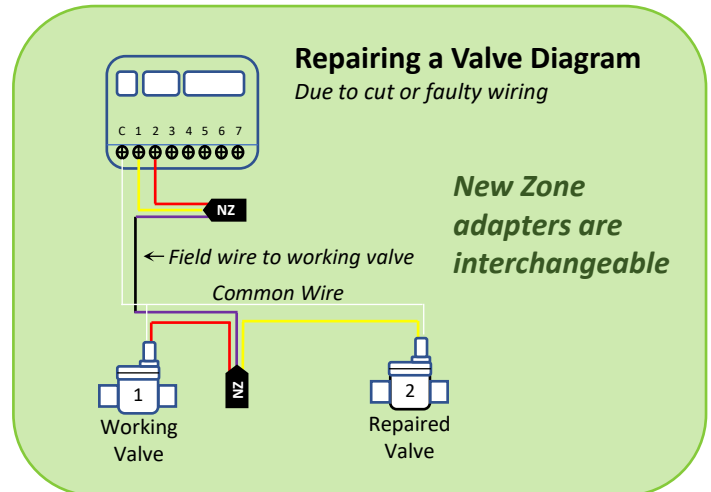
# New Zone

# Installation Instructions

## TO REPAIR A VALVE

### Controller Install

1. Remove the field wire from the non-working valve's terminal, connect the New Zone **RED** wire to terminal
2. Remove the field wire from the working valve's terminal, connect the New Zone **YELLOW** wire to terminal
3. Connect New Zone **BLUE** wire to the working valve's field wire



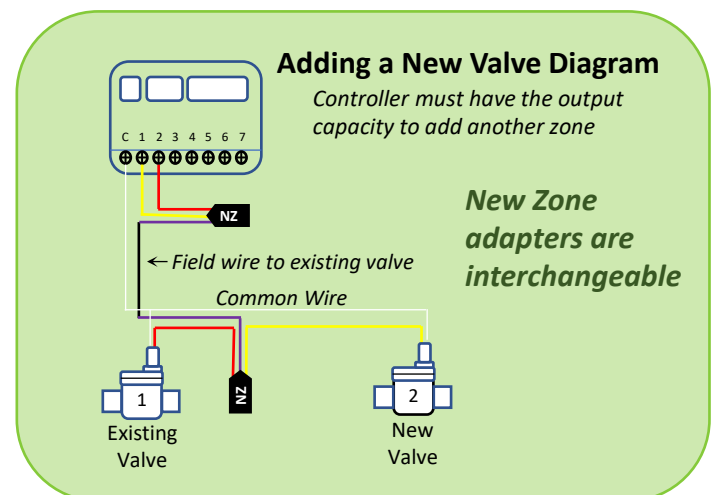
### Valve Install

1. Remove the field wire from the working valve's solenoid, connect the New Zone **RED** wire to solenoid wire
2. Remove field wire from the non-working valve's solenoid, connect the New Zone **YELLOW** wire to solenoid wire
3. Connect the New Zone **BLUE** wire to the working valve's field wire

## TO ADD A VALVE

### Controller Install

1. Remove an existing valve's field wire from its terminal, connect the New Zone **YELLOW** wire to terminal
2. Connect the New Zone **RED** wire to an unused output terminal in the controller
3. Connect New Zone **BLUE** wire to the existing valve's field wire



### Valve Install

1. Remove the field wire from an existing valve's solenoid, connect the New Zone **RED** wire to solenoid wire
2. Connect the New Zone **YELLOW** wire, and field common wire, to the new valve's solenoid wires
3. Connect the New Zone **BLUE** wire to the existing valve's field wire

[NewZoneIrrigation.com](http://NewZoneIrrigation.com)

[CS@NewZoneIrrigation.com](mailto:CS@NewZoneIrrigation.com)

Part # GAT2215  
Voltage: 24  
Switching capacity: 0.5 AMPS  
1 Year Warranty

*Multiple brands of controllers were used in testing New Zone. However, we cannot guarantee that this product will work in all systems.*

Cost effective solutions for Irrigation Professionals  
as well as Do-It-Your selfers.